



METAL SKIN DELTA

Technical Specifications

- **RF protocol** EPC global Class 1 Gen 2, ISO/IEC 18000-63
- **Frequency** 902-928 MHz (US); 865-868 MHz (EU)
- **IC type (chip)**¹ Impinj M830
- **Chip memory**² 128 bits EPC; 96 bits TID
- **Write cycles** 10,000 times
- **Data retention** 10 years
- **Read range fixed**³
 - Up to 11.48 ft (3.50 m) on metal
 - Up to 8.20 ft (2.50 m) on plastic
- **Read range handheld**³
 - Up to 6.56 ft (2 m) on metal
 - Up to 4.92 ft (1.50 m) on plastic
- **Polarization** Linear

Key Features

- + **Thinnest profile:** thin, flexible label built for tight spaces and curved surfaces
- + **Cost-Effective:** smart choice for high-volume, item-level RFID tracking
- + **On-Site printable:** white PET face stock for use with standard thermal RFID printers
- + **Versatile surface compatibility:** optimized for metal, plastic, and cardboard assets
- + **IP68 protection:** engineered to withstand water, dust, solvents, and industrial chemicals

Applications

- WIP tracking
- MRO parts and components
- Automated warehouse
- Electronic devices
- IT assets
- Data centers
- Hospital equipment

Environmental Specifications

Temperatures



- Operational -40°C to +85°C
-40°F to +185°F
- Survival -40°C to +85°C
-40°F to +185°F

- **IP rating** IP68
- **Storage humidity** 50±15%RH
- **Printer compatibility** Zebra ZT410, ZT411R, SATO CL4NX Plus, Postek TX3r, TSC, thermal RFID printers
- **Vibration** MIL-STD-810G
- **Warranty** 1 year

¹ The chip data retention is up to 10 years, based on chip operating under general environment conditions.

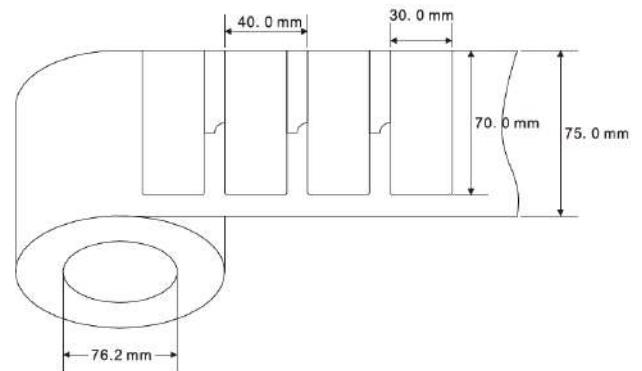
² EPC can be re-programmed or permanently locked, can not be password protected. TID is locked and unique at the point of manufacturing.

³ Fixed reader. Actual read range may vary based upon use case and antenna power.



Physical Specifications

- **Label material** White thermal transfer face stock
- **Reel core material** Cardboard
- **Reel core inner dimension** 76.2mm/3(in)
- **Dimensions (in)¹** 2.76 x 1.18 x 0.02
- **Dimensions (mm)²** 70 x 30 x 0.4
- **Packaging** 500pcs/roll
- **Weight (roll)** 2.20 lbs (0.90 kg)



Mounting Systems

- 3M industrial adhesive

Installation Instructions

1. Clean the surface using isopropyl alcohol, an alcohol pad, or equivalent solvent to remove dust, oil, and debris that may affect adhesion.
2. Handle by the edges and peel off the release liner without touching the adhesive.
3. Position and apply the label at the desired location, pressing firmly and evenly for 5 seconds.
3. Allow to set undisturbed for at least 15 minutes to ensure proper adhesive bonding.

¹ Tolerance: Length/Width= +/- 0.02; Thickness= +/- 0.008

² Tolerance: Length/Width= +/- 0.50; Thickness= +/- 0.200

Industry Compliance



Order Information

METAL SKIN Delta US: X7030-US011-M830

METAL SKIN Delta EU: X7030-EU011-M830

Customization Options

Encoding

ATEX Certified Version

Printing

The information provided by Xerafy Singapore Pte. Ltd. is for general information purposes only. All information on the datasheet is provided in good faith. However we make no representation or warranty of any kind, express or implied, regarding the accuracy, adequacy, validity, reliability, availability, or completeness of any information on the datasheet.

Under no circumstance shall we have any liability to you for any loss or damage of any kind incurred as a result of the use of the product or reliance on any information provided on the datasheet. Your use of the product and your reliance on any information on the datasheet is solely at your own risk.