

## Micro X-II Plus Automotive



The Xerify Micro X-II Plus Automotive uniquely meets the most demanding requirements of the German Association of the Automotive Industry (VDA). It is designed to offer manufacturers across the automotive ecosystem a dependable RFID solution for demanding Hi-Temp and Caustic Chemicals applications.



High user memory



Superior on-metal performance



Extreme durability and reliability



IP68 rated



Hi-Temp and Caustic Chemicals



- Paint Shop Skids
- WIP Systems
- VDA-Compliant Manufacturing
- Just-In-Time Manufacturing
- Automotive Components
- Native IoT Capabilities At Point-Of-Manufacture
- Returnable Transport Items (RTIs) Management

[LEARN MORE >](#)

### Performance Characteristics

|                                    |  |
|------------------------------------|--|
| Read range (handheld) <sup>1</sup> | Up to 16 ft (5 m)  |
| Read range (fixed) <sup>1</sup>    | Up to 22 ft (7 m)  |
| Polarization                       | Linear   |
| Mounting system                    | Screws (Rivet hole: ø3.2mm), Pop rivets (Max size 3.2mm), Adhesive |

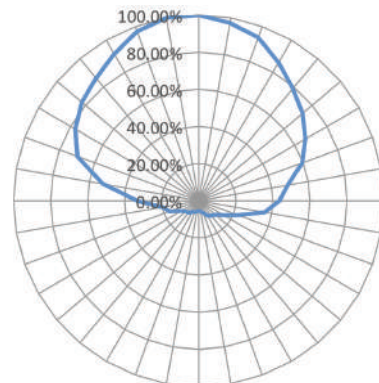
*1. Performance based on standard testing methodologies. Performance may vary depending on environmental factors and reader output power.*

### Functional Specifications

|                             |   |
|-----------------------------|---|
| RF protocol                 | EPC global Class 1 Gen2   |
| Frequency                   | 902-928 (US) ; 865-868 (EU)                                       |
| IC type (chip) <sup>1</sup> | Qstar-56GN  |
| Memory                      | 496 bits EPC Memory<br>2 Kbits User Memory<br>256 bits TID Memory |
| Material                    | High-performance engineered polymer, copper metal insert          |

*1. The chip data retention is up to 50 years, based on chip operating under general environment conditions.*

### Radiation Pattern



### Environmental Specifications

|                         |  |
|-------------------------|--|
| Operational temperature | -40°C to +85°C                         |
| Survival temperature    | -40°C to +250°C                        |
| Chemical resistance     | Various caustic chemicals <sup>1</sup> |
| IP rating               | IP68                                   |
| Compression strength    | 725 psi (5000 kPa)                     |
| Shock (drop)            | 3 ft (1 m) to concrete/granite         |
| Vibration               | MIL-STD-810G                           |

1. The chemical resistance is based on the concentration of solutions and application environment. Please contact Xerafy for further details on chemical resistance.

### Industry Compliance

|                     |   |
|---------------------|---|
| RoHS                | EU Directive 2011/65/EU   |
| CE                  | Yes   |
| ATEX/IECEX          | Compliant   |
| Standard Compliance | VDA3-compatible data, ready for EDI, VDA 5500, 5501, 5509, 5510, 5520 |
| Warranty            | 6 months  |

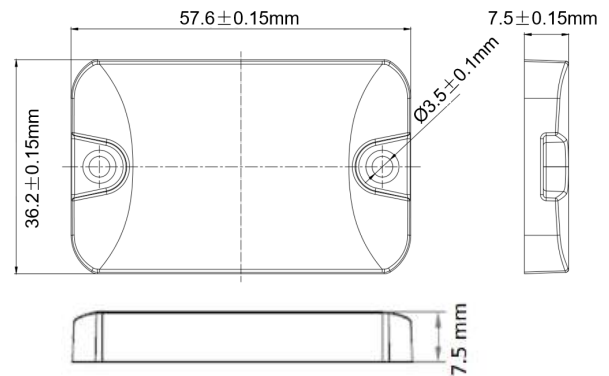
### Order Information

|                   |                                     |
|-------------------|-------------------------------------|
| X2130-US130-Q56GN | Micro X-II Plus Automotive US       |
| X2130-EU130-Q56GN | Micro X-II Plus Automotive EU       |
| Optional service  | Encoding / Printing / Laser etching |

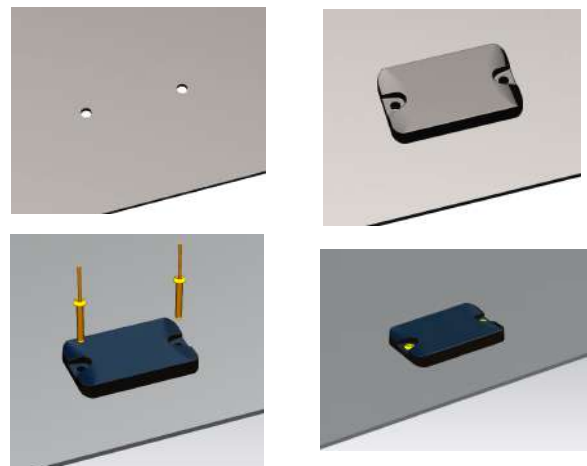


### Product Dimensions and Weight

|                 |                    |
|-----------------|--------------------|
| Dimensions (in) | 2.27 x 1.43 x 0.30 |
| Tolerance       | +/- 0.02           |
| Dimensions (mm) | 57.6 x 36.3 x 7.5  |
| Tolerance       | +/- 0.5            |
| Weight          | 1.06 oz (30 g)     |



### Installation Instructions



Instructions for optimal performances:

1. Drill two holes on the subject metal surface. (ø 3.50 mm, pitch: 48 mm)
2. Insert two ø3.2 mm (recommended size) rivets on the tag.
3. Fix the tag on the metal surface with a rivet gun.

\* Can also be attached via adhesive / epoxy.

#### About Xerafy

Xerafy designs and manufactures the world's toughest RFID tags to power Industrial IoT applications in Aerospace, Oil & Gas, Automotive, Healthcare and Manufacturing.

For Product inquiries: [sales@xerafy.com](mailto:sales@xerafy.com)  
Singapore | China | US | UK

GO TO WEBSITE >