

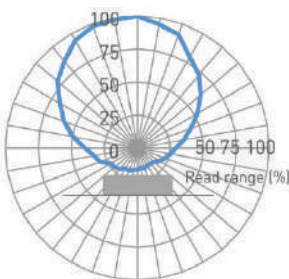


NFC RTI OUTDOOR

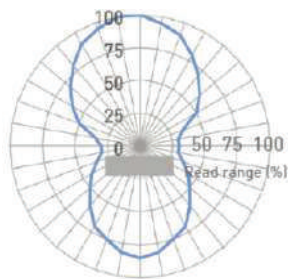
Technical Specifications

- **HF protocol** ISO 14443A
- **Frequency** 13.56 MHz (HF)
- **IC type (HF chip)**¹ NXP NTAG213
Chip memory (HF)² 7 bytes UID; 144 bytes user memory
- **Read range HF**³ Up to 0.03 ft (1 cm)
- **RF protocol** EPC global Class 1 Gen 2
- **Frequency** 902-928 MHz (US); 865-868 MHz (EU)
- **IC type (UHF chip)**¹ Impinj R6-P
- **Chip memory (UHF)**² 128/96 bits EPC; 48 bits TID; 32/64 bits user memory
- **Read range UHF**³ Up to 29.53 ft (9 m)
- **Polarization** Linear

On metal



Off metal



Key Features

- + **Smart phone:** infrastructure-light technology
- + **Battery-Free:** long-life passive tracking devices
- + **Durable:** designed for industrial durability
- + **9 m read-range:** combined with UHF RFID for longer range

Applications

- Legacy tracking systems
- Oil and Gas assets
- RTI management
- Production logistics

Environmental Specifications

Temperatures



- Operational -40°C to +75°C
- Survival -40°C to +75°C

- **IP rating** IP68
- **Compression strength** 26 psi (180 kPa)
- **Shock** 3ft (1 m) to concrete/granite
- **Vibration** MIL-STD-810G
- **Warranty** 1 year

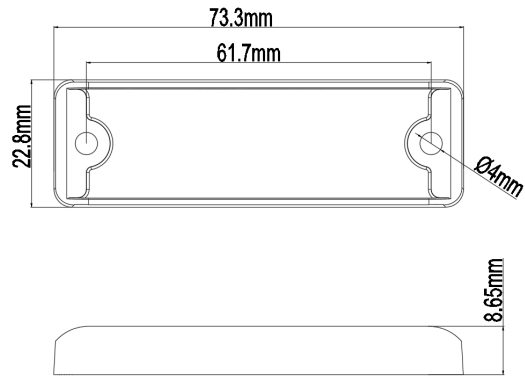
¹ The chip data retention is up to 50 years, based on chip operating under general environment conditions.

² EPC and User Memory can be re-programmed, password protected, or permanently locked. TID is locked and unique at the point of manufacturing.

³ Fix reader on metal

Physical Specifications

- **Material** Anti-UV industry grade polymer
- **Dimensions (in)**¹ 2.88 x 0.90 x 0.34
- **Dimensions (mm)**¹ 73.30 x 22.80 x 8.65
- **Weight** 0.39 oz (11 g)



Mounting Systems

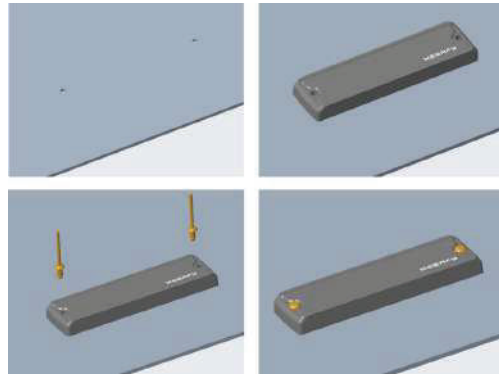
- Rivets
- Cable tie (optional)
- Industrial adhesive (optional)

Installation Instructions

Use M3 rivets for attachment:

1. Drill two holes (∅ 3.50) in the metal surface, pitch: 61.70 mm.
2. Utilize M3 rivets in conjunction with a rivet gun to securely fasten the tag onto the metal surface.

* Other installation options: adhesive / cable tie (based on your application environment)



¹ Tolerance: +/- 0.02; +/- 0.50

Industry Compliance



Order Information

NFC RTI OUTDOOR US: X0316-US110-NTAG213

NFC RTI OUTDOOR EU: X0316-EU110-NTAG213

Customization Options

Encoding

Laser Marking

ATEX Certified Version

Printing

Industrial Adhesives

The information provided by Xerafy Singapore Pte. Ltd. is for general information purposes only. All information on the datasheet is provided in good faith. However we make no representation or warranty of any kind, express or implied, regarding the accuracy, adequacy, validity, reliability, availability, or completeness of any information on the datasheet..

Under no circumstance shall we have any liability to you for any loss or damage of any kind incurred as a result of the use of the product or reliance on any information provided on the datasheet. Your use of the product and your reliance on any information on the datasheet is solely at your own risk.

