



# METAL SKIN DELTA

## Technical Specifications

- **RF protocol** ISO/IEC 18000-6C (EPC Gen2)
- **Frequency** 902-928 MHz (US);  
865-868 MHz (EU)

### Impinj:

- **IC type (chip)**<sup>1</sup> Impinj Monza R6-P
- **Chip memory**<sup>2</sup> 128 bits EPC; 48 bits TID; 32 bits user memory
- **Read range fixed**<sup>3</sup> 14.76 ft (4.50 m)
- **Read range handheld**<sup>3</sup> 8.20 ft (2.50 m)

### NXP:

- **IC type (chip)**<sup>1</sup> NXP UCODE 8
- **Chip memory**<sup>2</sup> 128 bits EPC; 96 bits TID
- **Read range fixed**<sup>3</sup>  
Up to 36.09 ft (11 m) on metal
- **Read range handheld**<sup>3</sup>  
Up to 16.40 ft (5 m) on metal
- **Polarization** Linear

## Key Features

- + **Flexible label:** for curved surfaces
- + **Multi-surface:** for on/off metal asset
- + **11 m read range:** read from a distance
- + **Printable:** human and computer-readable
- + **Cost effective:** for high volume
- + **IP68 rating:** waterproof

## Applications

- **Data centers**
- **IT asset management**
- **Manufacturing WIP**
- **Automated inventory**

## Environmental Specifications

### Temperatures



- **Operational** -40°C to +85°C
- **Survival** -40°C to +85°C

- **IP rating** IP68
- **Storage Humidity** 50 ± 15%RH
- **Compression strength** 355 psi (2,450 kPa)
- **Vibration** MIL-STD-810G
- **Printer compatibility** SATO CL4NX, Zebra ZT410 Silverline, Postek TX3r, etc.
- **Warranty** 1 year

<sup>1</sup> The chip data retention is up to 50 years, based on chip operating under general environment conditions.

<sup>2</sup> EPC can be re-programmed or permanently locked, can not be password protected. TID is locked and unique at the point of manufacturing.

<sup>3</sup> Actual read range may vary based upon use case and antenna power.



## Physical Specifications

- **Material** White thermal transfer face stock

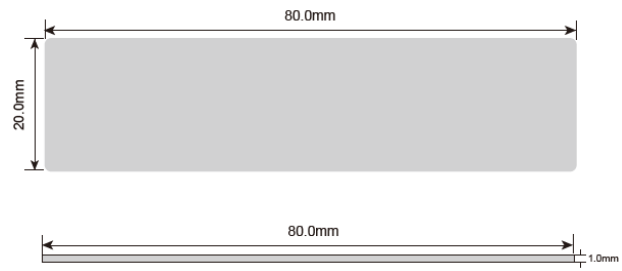
### Impinj:

- **Dimensions (in)**<sup>1</sup> 3.15 x 0.79 x 0.04
- **Dimensions (mm)**<sup>1</sup> 80 x 20 x 1
- **Packaging** 500pcs/roll (US), 300pcs/roll (EU)
- **Weight (roll)** 1.76 lbs (0.80 kg)

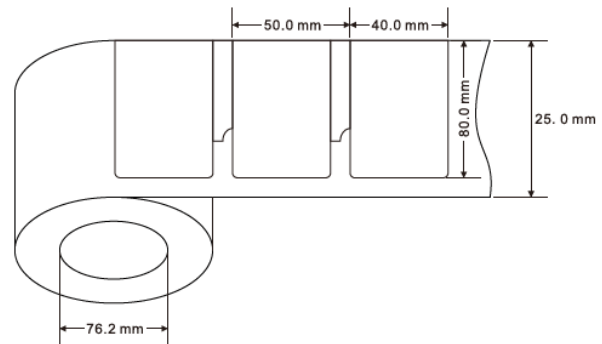
### NXP:

- **Dimensions (in)**<sup>1</sup> 3.15 x 1.57 x 0.04
- **Dimensions (mm)**<sup>1</sup> 80 x 40 x 1
- **Packaging** 300pcs/roll
- **Weight (roll)** 1.76 lbs (0.80 kg)

### Impinj:



### NXP:



## Mounting Systems

- Industrial adhesive

## Installation Instructions

1. Clean the surface using Isopropyl alcohol, alcohol pad or equivalent solvent to ensure surface is free from dirt, dust, oil and misc, debris that may affect adhesion.
2. Handle the label by edges, peel release liner from back ensuring not to touch the adhesive.
3. Place the label in desired tagging location and firmly apply even pressure to the label for 5 seconds.
4. Do not disturb the newly mounted label for at least 15 minutes to ensure proper adhesive seating.

<sup>1</sup> Tolerance: +/- 0.004; +/- 0.100

## Industry Compliance



## Order Information

### Impinj

METAL SKIN Delta US: X8020-US100-R6P

METAL SKIN Delta EU: X8020-EU100-R6P

### NXP

METAL SKIN Delta US: X8040-US011-U8

METAL SKIN Delta EU: X8040-EU011-U8

## Customization Options

Encoding

Printing

The information provided by Xerafy Singapore Pte. Ltd. is for general information purposes only. All information on the datasheet is provided in good faith. However we make no representation or warranty of any kind, express or implied, regarding the accuracy, adequacy, validity, reliability, availability, or completeness of any information on the datasheet.

Under no circumstance shall we have any liability to you for any loss or damage of any kind incurred as a result of the use of the product or reliance on any information provided on the datasheet. Your use of the product and your reliance on any information on the datasheet is solely at your own risk.