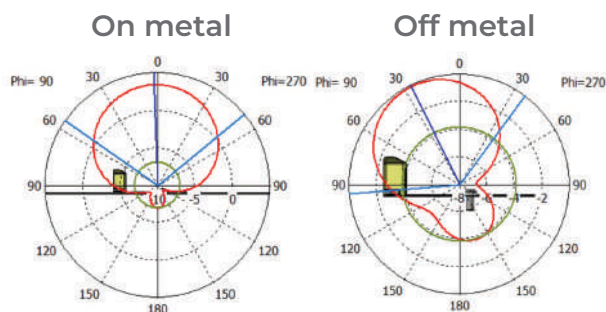




XPLATE

Technical Specifications

- **RF protocol** EPC global Class 1 Gen 2
- **Frequency** 902-928 MHz (US); 865-868 MHz (EU)
- **IC type (chip)**¹ Impinj M750
- **Chip memory**² 96 bits EPC; 96 bits TID; 32 bits user memory
- **Read range on metal**³ Up to 32.81 ft (10 m)
- **Read range off metal**³ Up to 19.69 ft (6 m)
- **Polarization** Linear
- **Radiation pattern**



Key Features

- + **Multidirectional:** wider read angles
- + **10 m read range:** read from a distance
- + **Aluminum or stainless metal plate**
- + **Customizable:** emboss, stamp, print, laser
- + **IP68 rating:** waterproof

Applications

- Tooling machinery
- Manufacturing equipment
- Shipping container
- Construction equipment
- Utilities

Environmental Specifications

Temperatures

- Operational -40°C to +85°C
- Survival -40°C to +85°C (168 hours)
- Peak 100°C (100 hours)

Chemicals⁴

- 24h H₂SO₄ (10% sulfuric acid)
- 24h HNO₃ (10% nitric acid)
- 24h H₃PO₄ (20% phosphoric acid)
- 24h H₂O₂ (25% hydrogen peroxide)
- 24h NaOH (10% sodium hydroxide)

- **IP rating** IP68
- **Compression strength** 181 psi (1250 kPa)
- **Shock** 3 ft (1 m) to concrete/granite

- **Vibration** MIL-STD-810G
- **Warranty** 1 year

¹ The chip data retention is up to 50 years, based on chip operating under general environment conditions.

² EPC can be re-programmed, password protected, or permanently locked. TID is locked and unique at the point of manufacturing.

³ Performance based on standard testing methodologies. Performance may vary depending on environmental factors and reader output power.

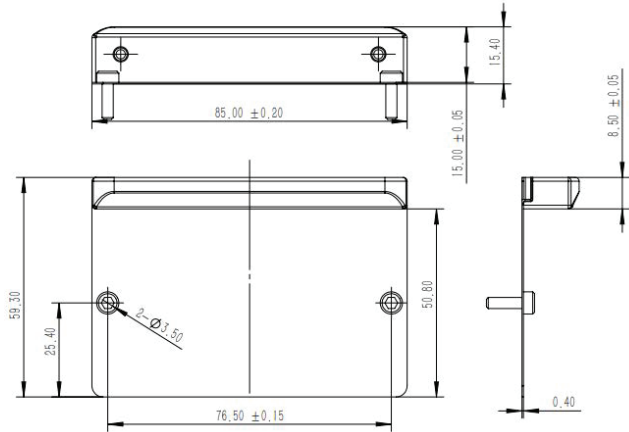
⁴ The chemical resistance is based on the concentration of solutions and application environment. Please contact Xerafy for further details on chemical resistance.

Physical Specifications

- **Material** Industry grade polymer, Aluminum or stainless steel plate
- **Dimensions (in)**¹ 3.35 x 2.31 x 0.61, 3.35 x 2 (metal plate)
- **Dimensions (mm)**¹ 85 x 59.30 x 15.40, 85 x 50.80 (metal plate)
- **Weight** 0.42 oz (11.80 g)
- **Color** Dark gray

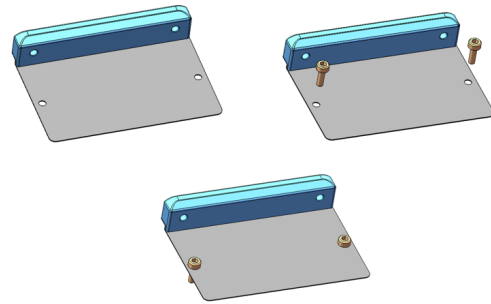
Mounting Systems

- Pop rivets
- Screws
- Welding, adhesive (optional)



Installation Instructions

1. Use M3 rivets for attachment:
 - Drill two holes (∅ 3.50) in the metal surface, pitch: 76.50 mm.
 - Utilize M3 rivets in conjunction with a rivet gun to securely fasten the tag onto the metal surface.
2. Use M3 screws for attachment:
 - Drill two holes (∅ 2.20) in the metal surface, pitch: 76.50 mm.
 - Perform a M3 thread tapping procedure.
 - Utilize M3 screws to securely attach the tag to the metal surface.



¹ Tolerance: +/- 0.02; +/- 0.50

Industry Compliance



Order Information

XPLATE US (aluminum): X8001-US100-M750

XPLATE EU (aluminum): X8001-EU100-M750

XPLATE US (stainless steel): X8002-US100-M750

XPLATE EU (stainless steel): X8002-EU100-M750

Customization Options

- Encoding
- Aluminum or Stainless Steel Plate
- Embossing
- Printing
- Adhesives (optional)

- Password Locking
- Plate Size
- Stamping
- Laser Marking
- ATEX Certified Version

The information provided by Xerafy Singapore Pte. Ltd. is for general information purposes only. All information on the datasheet is provided in good faith. However we make no representation or warranty of any kind, express or implied, regarding the accuracy, adequacy, validity, reliability, availability, or completeness of any information on the datasheet.

Under no circumstance shall we have any liability to you for any loss or damage of any kind incurred as a result of the use of the product or reliance on any information provided on the datasheet. Your use of the product and your reliance on any information on the datasheet is solely at your own risk.

