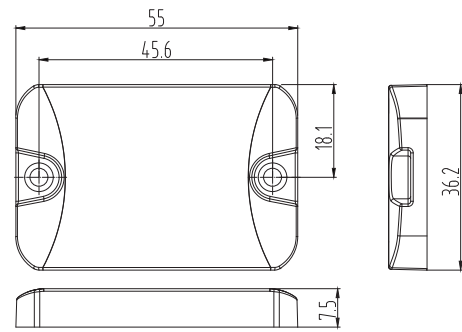




## Physical Specifications

- **Material** Industry grade polymer;  
316L Stainless steel
- **Dimensions (in)**<sup>1</sup> 2.16 x 1.43 x 0.30
- **Dimensions (mm)**<sup>1</sup> 55 x 36.20 x 7.50
- **Weight** 0.92 oz (26 g)
- **Packing information** 92 pcs /one box



## Mounting Systems

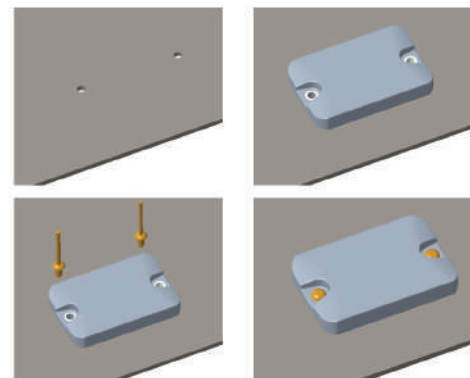
- Pop rivets
- Screws
- Industrial adhesive (optional)

## Installation Instructions

1. Use M3 rivets for attachment:
  - Drill two holes (ø 3.50) in the metal surface, pitch: 45.60 mm.
  - Utilize M3 rivets in conjunction with a rivet gun to securely fasten the tag onto the metal surface.
2. Use M3 screws for attachment:
  - Drill two holes (ø 2.20) in the metal surface, pitch: 45.60 mm.
  - Perform a M3 thread tapping procedure.
  - Utilize M3 screws to securely attach the tag to the metal surface.

\* Can also be attached via adhesive / epoxy.

<sup>1</sup>Tolerance: +/- 0.02; +/- 0.50 mm



## Industry Compliance



## Order Information

MICRO Paint Shop US: X1130-US130-H9

MICRO Paint Shop EU: X1130-EU130-H9

## Customization Options

Encoding

Laser Marking

ATEX Certified Version

Printing

Industrial Adhesives

Metal Backplate

The information provided by Xerafy Singapore Pte. Ltd. is for general information purposes only. All information on the datasheet is provided in good faith. However we make no representation or warranty of any kind, express or implied, regarding the accuracy, adequacy, validity, reliability, availability, or completeness of any information on the datasheet.

Under no circumstance shall we have any liability to you for any loss or damage of any kind incurred as a result of the use of the product or reliance on any information provided on the datasheet. Your use of the product and your reliance on any information on the datasheet is solely at your own risk.