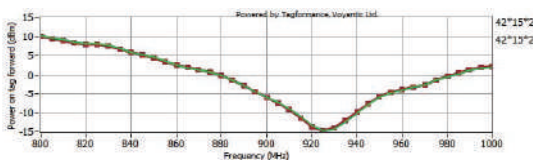




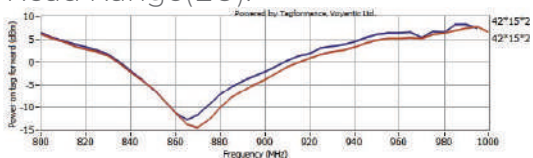
MICRO HEAT

Technical Specifications

- **RF protocol** EPC Class1 Gen 2; ISO18000-6C
- **Frequency** 902-928 MHz (US);
865-868 MHz (EU)
- **IC type (chip)**¹ Alien Higgs-4
- **Chip memory**² 128 bits EPC; 64 bits TID; 128 bits User Memory
- **Write cycles** 100,000 Times
- **Read range fixed**³
6.8 m - 902-928 MHz (US), on metal;
7.0 m - 865-868 MHz (EU), on metal
- **Read range handheld**³
5.3 m - 902-928 MHz (US), on metal;
5.5 m - 865-868 MHz (EU), on metal
- **Read range on metal**
Read Range(US):



Read Range(EU):



Key features

- + **High-Temp resistant:** up to 215°C
- + **Superior size-to-read range ratio:** up to 7 m
- + **Rugged mounting options**
- + **Durable for harsh environment**
- + **IP68 Rating**

Applications

- High Temperature Production
- Work-In-Process
- RTI Management

Environmental Specifications

Temperature



- Operational -40°C to +85°C
- Survival -55°C to +215°C
(215°C for 48 hours)

- **IP rating** IP68
- **Compression strength** 2450 Kpa
- **Shock (drop)** 1m to concrete/granite
- **Vibration** MIL-STD-810G
- **Warranty** 1 year

¹ The chip data retention is up to 50 years, based on chip operating under general environment conditions.

² EPC can be re-programmed, password protected, or permanently locked. TID is locked and unique at the point of manufacturing.

³ Performance based on standard testing methodologies. Performance may vary depending on environmental factors and reader output power.

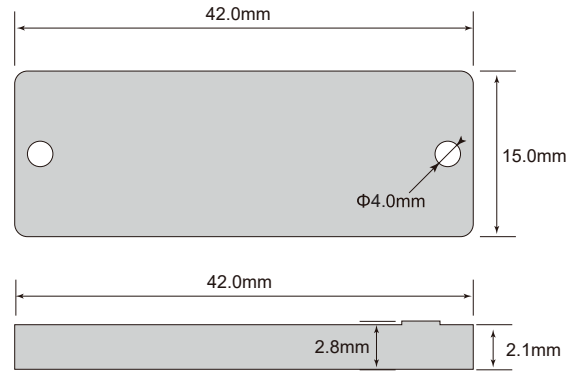


Physical Specifications

- **Material** PTFE
- **Size** 42 x 15mm, Hole \varnothing 4mm x 2
- **Thickness** 2.1mm (2.8mm with IC bump)
- **Weight** 2.2g

Mounting Systems

- Industrial adhesives
- Screw (M3)



Industry Compliance



Order Information

MICRO Heat US: X1220-US050-H4

MICRO Heat EU: X1220-EU050-H4

Customization Services

Encoding

Laser Marking

ATEX Certified Version

Printing

Industrial Adhesives

The information provided by Xerafy Singapore Pte. Ltd. is for general information purposes only. All information on the datasheet is provided in good faith. However we make no representation or warranty of any kind, express or implied, regarding the accuracy, adequacy, validity, reliability, availability, or completeness of any information on the datasheet..

Under no circumstance shall we have any liability to you for any loss or damage of any kind incurred as a result of the use of the product or reliance on any information provided on the datasheet. Your use of the product and your reliance on any information on the datasheet is solely at your own risk.