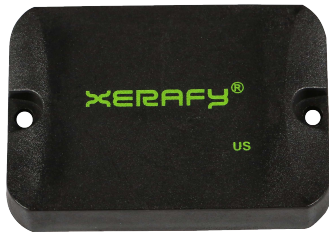


Micro X-II



The Micro X-II tag is constructed to perform consistently in environments where reliability and safety cannot be compromised, thanks to Xerafy's unparalleled expertise in rugged tags.

The on-metal tag is ideally suited to harsh environments where its field-proven durability matches the life of assets in the field.



Versatile mounting techniques



Superior on-metal performance



Ceramic durability and reliability



IP68 rated



Hi-Temp and Caustic Chemicals



- Returnable Transport Items (RTIs) Management
- Automated Guided Vehicles (AGV) / Small Vehicle Management
- Waste Management

[LEARN MORE >](#)

Performance Characteristics

Read range [handheld] ¹	Up to 22 ft (7 m)
Read range [fixed] ¹	Up to 32 ft (10 m)
Polarization	Linear
Mounting system	Screws (Rivet hole, M3) Pop rivets (Max size 3.0mm) Adhesive (optional)

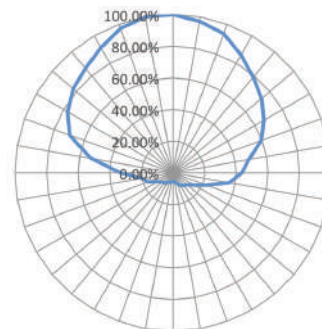
1. Performance based on standard testing methodologies. Performance may vary depending on environmental factors and reader output power.

Functional Specifications

RF protocol	EPC global Class 1 Gen2
Frequency	902-928 (US) ; 865-868 (EU)
IC type (chip) ¹	Alien Higgs-3
Memory ²	96-EPC bits, 64-bit unique TID, 512 -bit user memory
Material	High-performance engineered polymer

- 1. The chip data retention is up to 50 years, based on chip operating under general environment conditions.*
- 2. EPC and User Memory can be re-programmed, password protected, or permanently locked. TID is locked and unique at the point of manufacturing.*

Radiation Pattern



Environmental Specifications

Operational temperature	-40°C to +85°C
Survival temperature	-40°C to +250°C
Chemical resistance	Various caustic chemicals ¹
IP rating	IP68
Compression strength	181 psi (1250 kPa)
Shock (drop)	3 ft (1 m) to concrete/granite
Vibration	MIL-STD-810G

1. The chemical resistance is based on the concentration of solutions and application environment. Please contact Xerafy for further details on chemical resistance.

Industry Compliance

RoHS	EU Directive 2011/65/EU
CE	Yes
ATEX/IECEX	Compliant
Warranty	1 year

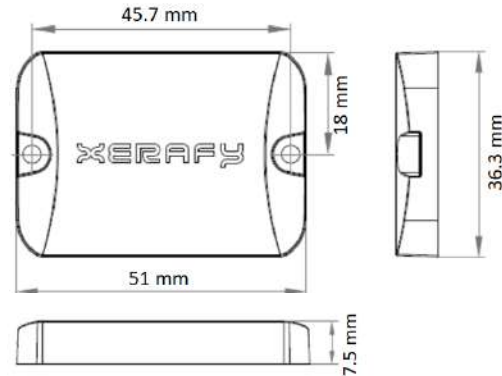
Order Information

X1130-US100-H3	Micro X-II US
X1130-EU100-H3	Micro X-II EU
Optional service	Encoding / Printing / Laser etching

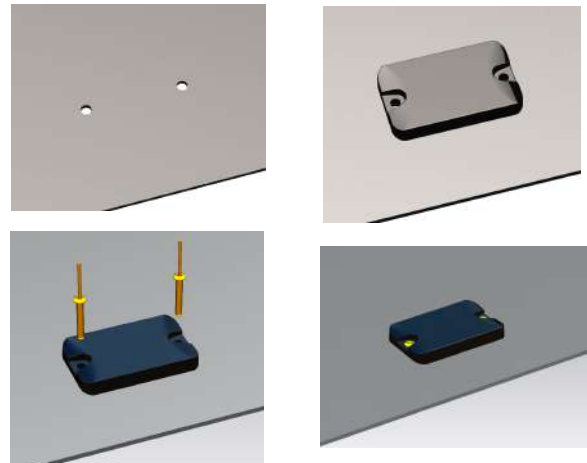


Product Dimensions and Weight

Dimensions (in)	2.01 x 1.43 x 0.30
Tolerance	+/- 0.02
Dimensions (mm)	51 x 36.3 x 7.5
Tolerance	+/- 0.5
Weight	0.92 oz (26 g)



Installation Instructions



Instructions for optimal performances:

1. Drill two holes on the subject metal surface.
(\varnothing 4 mm, pitch: 45.7mm)
2. Insert two \varnothing 3.0mm (recommended size) rivets on the tag.
3. Fix the tag on the metal surface with a rivet gun.

* Can also be attached via adhesive / epoxy.

About Xerafy

Xerafy designs and manufactures the world's toughest RFID tags to power Industrial IoT applications in Aerospace, Oil & Gas, Automotive, Healthcare and Manufacturing.

For Product inquiries: sales@xerafy.com
Singapore | China | US | UK

GO TO WEBSITE >