

Environmental Specifications

Operational temperature	-40°C to +85°C
Survival temperature	-40°C to +250°C
High temperature cycle	+250°C/500hours
Chemical resistance	Various caustic chemicals ¹
IP rating	IP68
Compression strength	181 psi (1250 kPa)
Shock (drop)	3 ft (1 m) to concrete/granite
Vibration	MIL-STD-810G

1. The chemical resistance is based on the concentration of solutions and application environment. Please contact Xerafy for further details on chemical resistance.

Industry Compliance

RoHS	EU Directive 2011/65/EU
CE	Yes
ATEX/IECEX	Compliant, Certified (optional)
Warranty	1 year

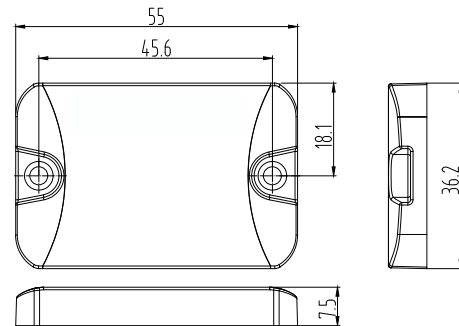
Order Information

X1130-US130-U8	MICRO Paint Shop US
X1130-EU130-U8	MICRO Paint Shop EU
X1130-US130-H9	MICRO Paint Shop US User Memory Option
X1130-EU130-H9	MICRO Paint Shop EU User Memory Option
Customization services	Encoding, Printing, Laser Marking, Industrial Adhesives, ATEX Certified Version, Optical Optimized White Case, Metal Backplate, User Memory Version

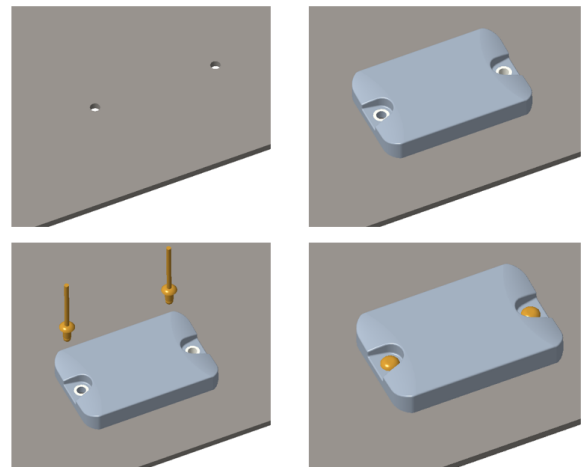


Product Dimensions and Weight

Dimensions (in)	2.16 x 1.43 x 0.30
Tolerance	+/- 0.02
Dimensions (mm)	55 x 36.2 x 7.5
Tolerance	+/- 0.5
Weight	0.92 oz (26 g)
Packing information	92 pcs /one box



Installation Instructions



Instructions for optimal performances:

1. Drill two holes on the subject metal surface. (ø 4 mm, pitch: 45.6 mm)
2. Insert two ø3.2mm (recommended size) rivets on the tag.
3. Fix the tag on the metal surface with a rivet gun.

* Can also be attached via adhesive / epoxy.

About Xerafy

Xerafy designs and manufactures the world's toughest RFID tags to power Industrial IoT applications in Aerospace, Oil & Gas, Automotive, Healthcare and Manufacturing.

For Product inquiries: sales@xerafy.com
Singapore | China | US | UK

GO TO WEBSITE >