

Roswell



Roswell, the first tag of its kind, uses only its metal exterior as an antenna. It's ATEX certified for hazardous environments in the oil and gas and automotive industries. Its patent-pending antenna-free design enables item-level tracking for demanding applications.



Withstands high impact and vibration



180° read orientation



Survives extended high temp exposure



IP69K



Withstands sandblasting and high pressure washdowns



- Oil & Gas Valve / Wellhead Management
- Food Processing Plants
- Automotive Manufacturing

[LEARN MORE >](#)

Performance Characteristics

Read range [handheld] ¹	Up to 11.5 ft (3.5 m)
Read range [fixed] ¹	Up to 16.4 ft (5 m)
Polarization	Linear
Mounting system	Screws (Rivet hole, ø 0.19 in [ø 5 mm]), Cable tie

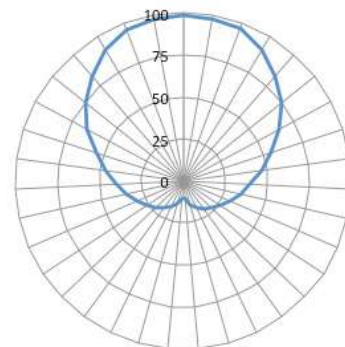
¹ Performance based on standard testing methodologies. Performance may vary depending on environmental factors and reader output power.

Functional Specifications

RF protocol	EPC global Class 1 Gen2
Frequency	902-928 (US) ; 865-868 (EU)
IC type (chip) ¹	Alien Higgs-3
Memory	96-EPC bits, 64-bit unique TID, 512-bit user memory
Material	Aluminum 6061-T6

¹ The chip data retention is up to 50 years, based on chip operating under general environment conditions.

Radiation Pattern



Environmental Specifications

Operational temperature	-40°C to +85°C
Survival temperature	-40°C to +250°C
Chemical resistance	Various caustic chemicals ¹
IP rating	IP69K
Compression strength	115 psi (793 kPa)
Shock (drop)	3 ft (1 m) to concrete/granite
Vibration	MIL-STD-810G

1. The chemical resistance is based on the concentration of solutions and application environment. Please contact Xerafy for further details on chemical resistance.

Industry Compliance

RoHS	EU Directive 2011/65/EU
CE	Yes
ATEX/IECEX	Compliant
Warranty	1 year

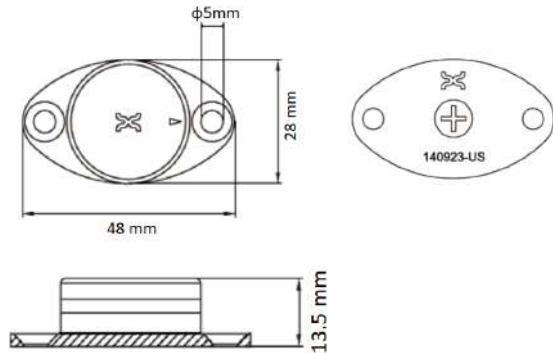
Order Information

X1114-US101-H3	Roswell w/ Bracket US
X1114-EU101-H3	Roswell w/ Bracket EU
Optional service	Encoding / Printing / Laser etching

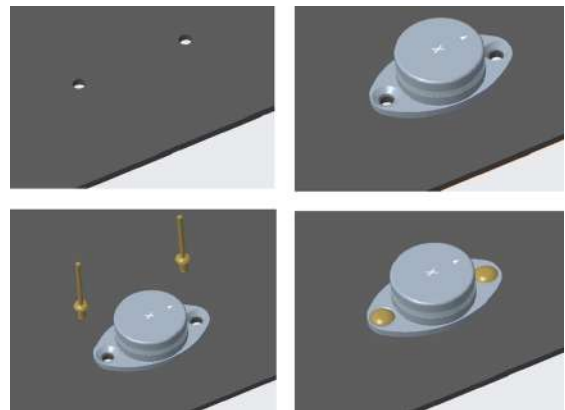


Product Dimensions and Weight

Dimensions (in)	1.89 x 1.10 x 0.53
Tolerance	+/- 0.02
Dimensions (mm)	48 x 28 x 13.5
Tolerance	+/- 0.5
Weight	0.74 oz (21 g)



Installation Instructions



1. Put the tag orientation with symbol "X" in parallel to length of the metal surface.
2. When the tag is used in harsh environment, M4.8 screw / ϕ 4.8 rivet mounting is a suitable option. (screw hole: 0.19 in/4.5 mm, rivet hole: 0.19 in / 5 mm)

About Xerafy

Xerafy designs and manufactures the world's toughest RFID tags to power Industrial IoT applications in Aerospace, Oil & Gas, Automotive, Healthcare and Manufacturing.

For Product inquiries: sales@xerafy.com
Singapore | China | US | UK

[GO TO WEBSITE >](#)